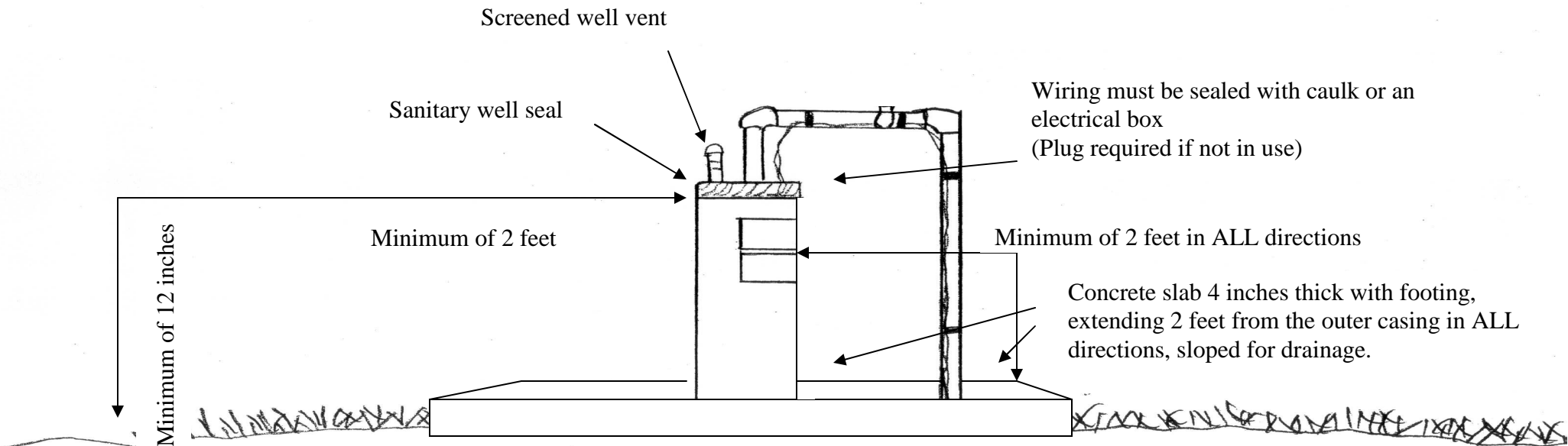


RANDOLPH COUNTY HEALTH DEPARTMENT  
RANDOLPH COUNTY ENVIRONMENTAL HEALTH  
2222-B S Fayetteville St Asheboro, NC 27205  
336 318 6262 FAX 336 318-6265

## Requirements For Property Transfer Well Head Approval

# ALL WELLS DRILLED BEFORE **OCTOBER 1992**



1. The surrounding land surface should be sloped away from the well for proper drainage.
2. To properly protect your well from the elements, it is suggested that a well house be constructed over the well.
3. Adherence to this drawing should not be taken as a guarantee of producing a potable water supply.